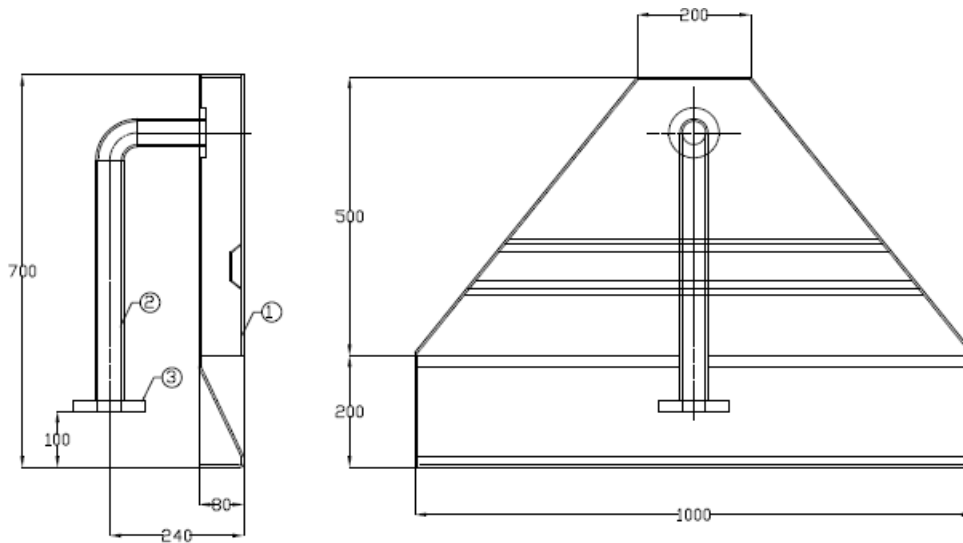


Rim Seal Foam Pourers are mainly used for discharging foam in the wall of floating roof tanks.

این تجهیز به منظور نصب بر روی دیواره مخازن سقف شناور و ریزش فوم ساخته شده از روی دیواره به سطح مایع سوختنی استفاده می گردد.





Abysmal Energy Structure Co.Ltd.

Product Data Sheet

Rim Seal Foam Pourer

System :

Foam Extinguishing System

Model No. : See Table

Data Sheet No.

AES-DSH-032

Rev : 0

Date: 09/13/2014

Page 2 of 2

General Information

- **Application:** Foam Concentration: 1% - 3% - 6%
- **Expansion Ratio:** 6:1 ~ 15:1 at 5 bar depending on Foam Type

Overall Size

Model	Flow Rate	Working Pressure	Inlet Flange
AES-FS007	700	3~8 bar	2"
AES-FS008	800	3~8 bar	2.5"

- **Removable Orifice Dia.:** According to Customer needs.
- **Inlet Flange type:** ASTM
- **Inlet Pipe:** ASTM A53-Sch Standard
- **Body:** Sheet Metal, Thickness 1.5mm

Material

- **Inlet Pipe:** Carbon Steel/ SS304 as Option
- **Mesh:** Stainless Steel
- **Orifice:** Stainless Steel
- **Body:** Carbon Steel/ SS304 as Option

Painting

- **3 Layers Painting Total 190 mic:**

First Layer: Zinc Rich Epoxy, 70 mic.

Second Layer: Epoxy Polyamide, 70 mic.

Finish: Polyurethane Red RAL 3000/3020, 50 mic

Installation & Maintenance

- Install on Flange by Adequate Bolt & Nut use Gasket for Sealing.
- **Maintenance:** Free